

Industrial inkjet

RICOH TH5241

RICOH
imagine. change.

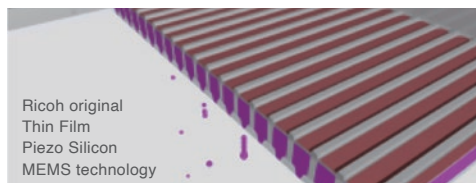
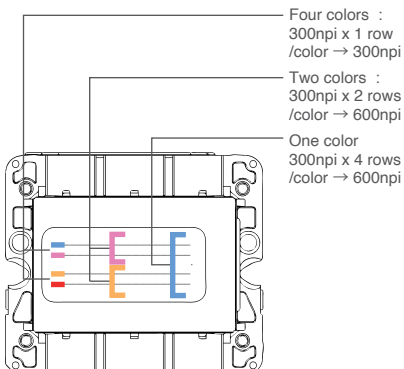
Ricoh's 1st thin film piezo printhead, enabling high definition printing in a wide range of applications by compact package, ink compatibility and jetting stability.



High definition by Ricoh original MEMS technology

By using MEMS technology, Ricoh's unique design means the RICOH TH5241 is a compact printhead with 320 x 4 rows of 1,280 nozzles*. In addition, high-definition printing of up to 1,200 dpi can be achieved by jetting fine droplets.

* There are two sets of 600npi with a staggered arrangement of 300npi nozzles per row.



Greyscale expressions by multi-drop technology

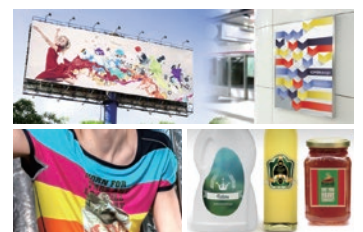
RICOH TH5241 supports multi-drop technology that controls drop volume by merging several droplets in flight before reaching a media surface. It enables greyscale expressions.

Highly versatile

RICOH TH5241 is compatible with UV, Solvent and Aqueous based inks. This inkjet printhead can be used for various applications.

<Applications>

- Sign-Graphics
- Label
- Textiles
- DTG (Direct to Garment)



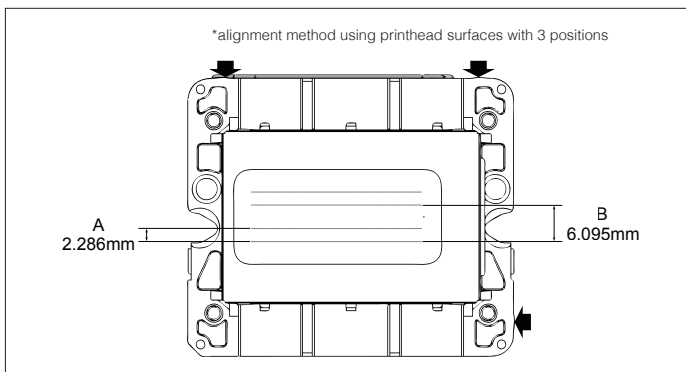
**Thin film piezo printhead with high-definition,
high-reliability and high-versatility.**

RICOH TH5241

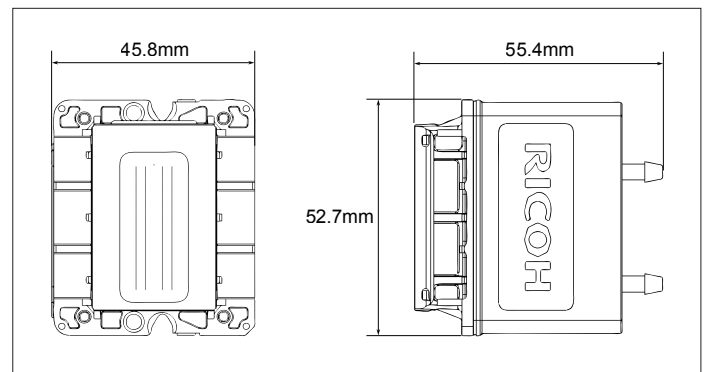


RICOH TH5241	
Method	Thin-film piezoelectric transducer with bend mode
Print Width	27.1 mm (1.06")
Number of nozzles	1280 (320 nozzles/row x4 rows, staggered)
Nozzle Resolution	600npi(2 colors, 1 color) 300npi(4 colors)
Nozzle spacing (Row to row distance)	A : 2.286mm B : 6.095mm
Compatible ink	UV, Solvent, Aqueous, Others.
Total printhead dimensions	W: 52.7mm D: 45.8mm H: 55.4mm
Weight	63g
Max.number of color inks	4 colors
Operating temperature range	40°C
Temperature control	Integrated thermistor, without heater
Firing frequency	40kHz (2 levels) 24kHz (4 levels)
Greyscale	4 levels
Drop volume	3pl (Single drop) 3~12pl (max 21pl) (Multi drop)
Viscosity range	7mPa·s
Surface tension	27±5mN/m

■ Nozzle



■ External dimensions



-Product appearance and specifications may be changed without prior notice for improvement purpose.
 -Company and product names are trademarks or registered trademarks of their respective companies
 -Please contact your sales representative for details on performance, specifications, and restricting conditions, etc

RICOH
 imagine. change.

● Inquiries and orders: