

Industrial Inkjet

RICOH MH5421F/5421MF

RICOH
imagine. change.

Offering high resolution printing and recirculating functionality, this latest printhead enables increased ink compatibility with high durability.

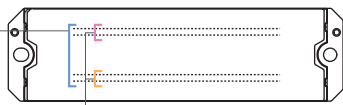


Single-pass 600dpi high-resolution printing

With 1,280 nozzles configured in 4x150dpi rows, this printhead achieves high-resolution 600dpi printing. Isolated ink paths enable a single printhead to jet up to two ink colors. Additionally the printhead is provided in two viscosity formats (F/MF) for optimized fluid handling performance.

One color :
150dpi × 4 rows/color 600dpi

Two colors :
150dpi × 2 rows/color 300dpi



Support for grey-scale

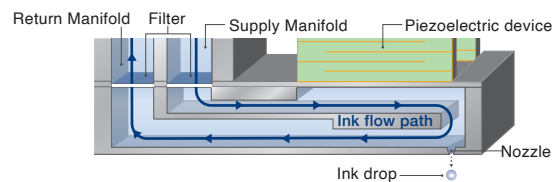
Achieves excellent grey-scale rendering at up to 4 levels.

Excellent durability and extended service life

Ricoh inkjet printheads are made of stainless steel. These printheads are highly robust and offer excellent anti-corrosion properties for multiple inks, resulting in excellent durability and extended service life.

Ink recirculating structure

Highly stable jetting performance is achieved through the introduction of a new recirculating structure, enabling continuous ink flow resulting in reducing the risk of jetting failure caused by clogged ink and dry nozzles.



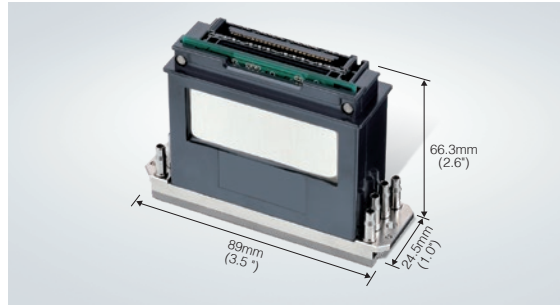
Variable drop volume capability

The multi-drop capability allows the creation of a range of drop sizes enabling grey-scale printing.

Inkjet printhead with high durability and reliability for 2 ink colors

Choose from 11mPa·s ink viscosity or 6mPa·s ink viscosity models to suit your application.

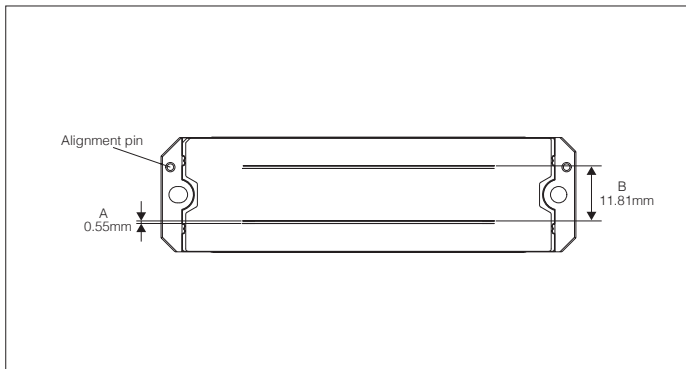
RICOH MH5421F/MH5421MF



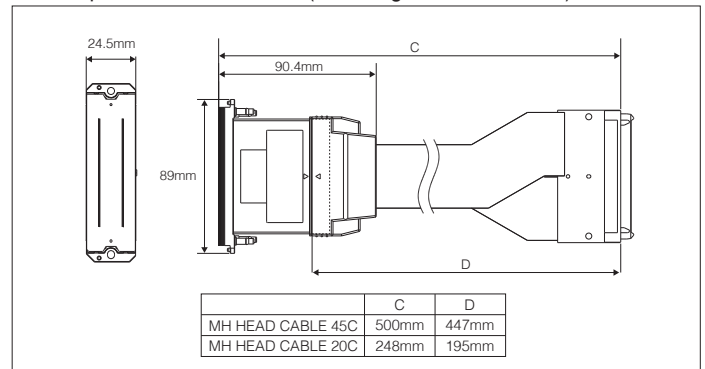
	RICOH MH5421F	RICOH MH5421MF
Method	Piston pusher with metallic diaphragm plate	
Ink circulation structure	Supported	
Print width	54.1mm	
Number of nozzles	1280 (4 x 320 channels), staggered	
Nozzle spacing	1/150" (0.1693mm)	
Nozzle spacing (Row to row distance)	A: 0.55mm B:11.81mm (See illustration below)	
Max. number of color inks	2 colors	
Compatible ink	UV, Solvent, Aqueous, others	
Operating temperature range	Up to 60°C	
Temperature control	Integrated heater and thermistor	
Jetting frequency	30kHz	
Drop volume	7/14/21pl (depending on the ink)	
Viscosity range F/MF	11mPa·s	6mPa·s
Grey-scale	4 levels (depending on the ink characteristic)	
Separately sold parts	RICOH MH5421F / MH5421MF dedicated cable	
Total printhead dimensions.	89(W) × 24.5(D) × 66.3(H) mm (3.5" × 1.0" × 2.6")	
Weight	147g	

* Results obtained from continuous jetting test using standard Ricoh test fluid.

■ Nozzle



■ Total printhead dimensions (including dedicated cable)



- Product appearance and specifications may be changed without prior notice for improvement purpose.
- Company and product names are trademarks or registered trademarks of their respective companies
- Please contact your sales representative for details on performance, specifications, and restricting conditions, etc

RICOH
imagine. change.

● Inquiries and orders: