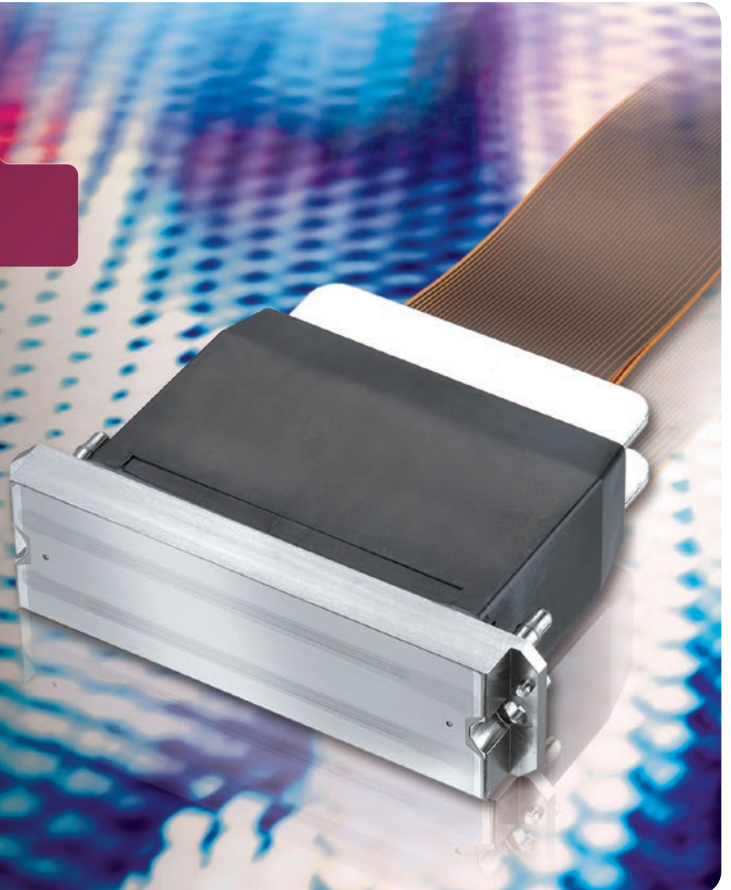


Industrial Inkjet

RICOH MH5421/5441

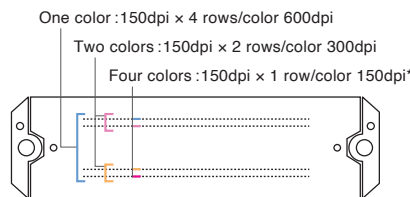
RICOH
imagine. change.

Next generation printhead for the use of aqueous ink, offering high-resolution printing and support for multiple ink colors with multi-row nozzles, as well as enhanced aqueous ink compatibility with new bonding technology.



Single-pass 600 dpi high-resolution printing and support for multiple ink colors

With 1,280 nozzles configured in 4 x 150dpi rows, this printhead achieves high-resolution 600dpi printing. Isolated ink paths enable a single printhead to jet up to two ink colors.



Excellent durability and extended service life

Ricoh inkjet printheads are made of stainless steel. These printheads are highly robust and offer excellent anti-corrosion properties for multiple inks, resulting in excellent durability and extended service life.

Support for aqueous ink

These printheads are dedicated to aqueous ink and suitable for applications such as textiles and labels. Additionally, the ink path is isolated from the actuator (piezo elements), i.e. no ink contact.

Support for grey-scale

Achieves excellent grey-scale rendering at up to 4 levels.

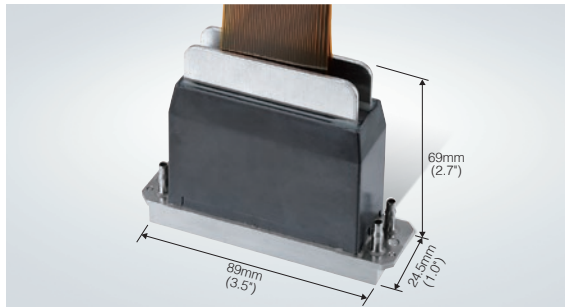
Variable drop volume capability

The multi-drop capability allows the creation of a range of drop sizes enabling grey-scale printing.

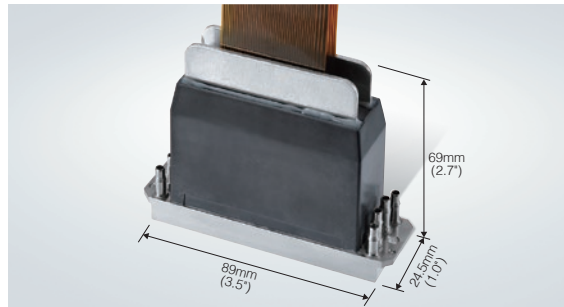
Inkjet printhead with support for multiple nozzles and colors (Enhanced aqueous Ink compatibility)

Choose from two-color or four-color models to suit your application.

RICOH MH5421 (2 color model)



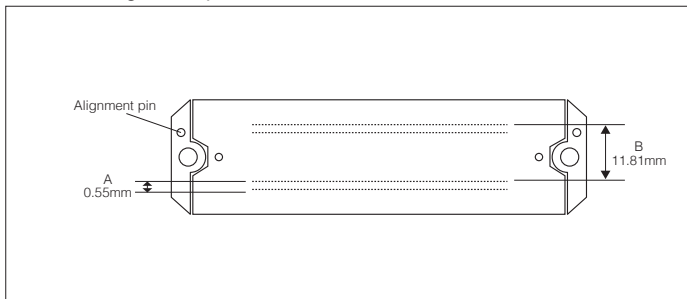
RICOH MH5441 (4 color model)



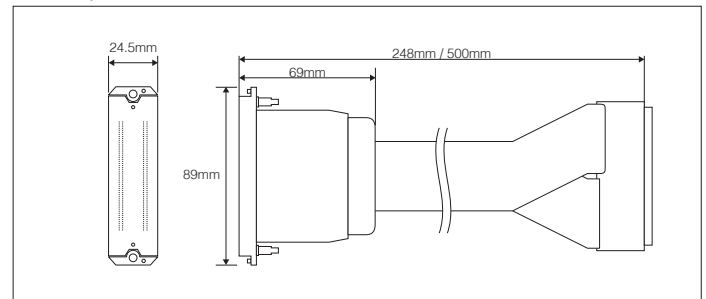
	RICOH MH5421	RICOH MH5441
Method	Piston pusher with metallic diaphragm plate	
Print Width	54.1mm	
Number of nozzles	1280 (4 x 320 channels), staggered	
Nozzle spacing	1/150" (0.1693mm)	
Nozzle spacing (Row to row distance)	A: 0.55mm B: 11.81mm (See illustration below)	
Max. number of color inks	2 colors	4 colors
Compatible ink	Aqueous ink	
Operating temperature range	Up to 50°C	
Temperature control	Integrated heater and thermistor	
Jetting frequency	30kHz	
Drop volume	7/14/21pl (depending on the ink)	
Viscosity range	11mPa · s	
Grey-scale	4 levels (depending on the ink characteristic)	
Total length	248mm (Cable length:179mm)	500 (Cable length:431mm)
Total printhead dimensions	89(W) × 24.5(D) × 69(H)mm (3.5" × 1.0" × 2.7") *excluding cables & connectors	
Weight	155g *excluding cables & connectors	

* Results obtained from continuous jetting test using standard Ricoh test fluid.

■ Nozzle Alignment pin



■ Total printhead dimensions



- Product appearance and specifications may be changed without prior notice for improvement purpose.
- Company and product names are trademarks or registered trademarks of their respective companies
- Please contact your sales representative for details on performance, specifications, and restricting conditions, etc

RICOH
imagine. change.

● Inquiries and orders: