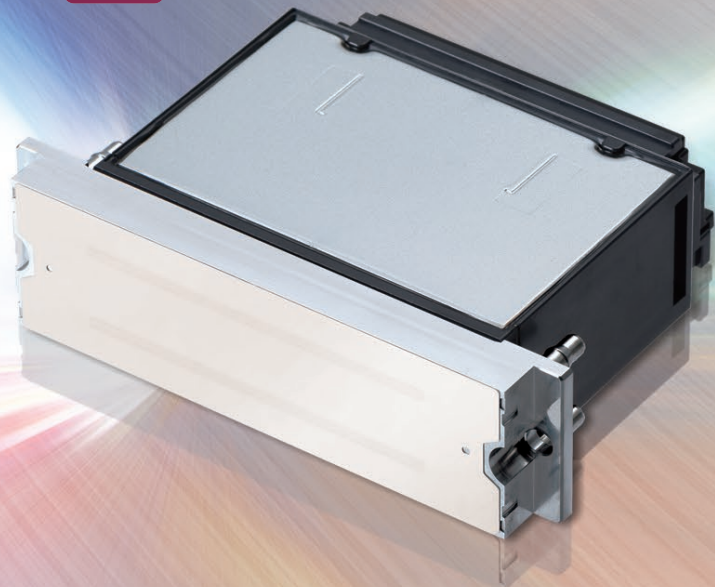


Industrial Inkjet

RICOH
imagine. change.

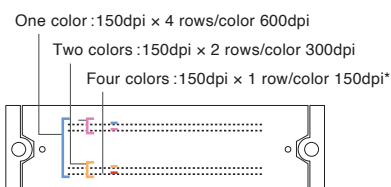
RICOH MH5320/5340

In addition to high durability by stainless steel housing, ink compatibility are enhanced. This Inkjet printhead is use for various application by high-definition and high-productivity.



High-definition and High-productivity

A minimized 5pl droplet size and improved jetting accuracy yields excellent print quality without graininess. With 1,280 nozzles configured in 4 x 150dpi rows, this printhead achieves high-resolution 600dpi printing. Greyscale features a maximum frequency of 50kHz, allowing for increased productivity.



*Where RICOH MH5340 is used.

Enhanced Ink compatibility

This printhead is compatible with UV, Solvent and Aqueous based inks. Specifically, the aqueous ink compatibility and service life of the MH5320/MH5340 is more than double that of the MH5421/MH5441 that preceded it.

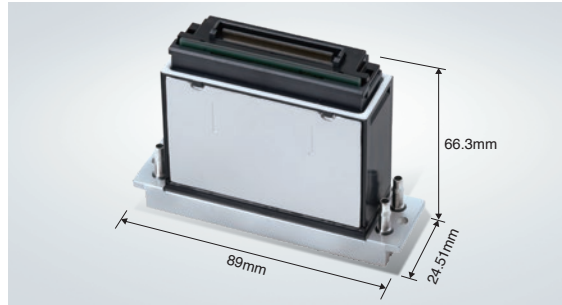
* Results obtained using ink and evaluation procedures defined by Ricoh



System compatibility

A new, straightforward alignment method using printhead surfaces enables high precision positioning accuracy and easy alignment. Printhead replacement is simple. In addition to official MH cables, customers may design cables compatible with their application as needed with the existing cable structure.

Featuring high durability and enhanced ink compatibility, this Inkjet Printhead enables high definition and high productivity applications.

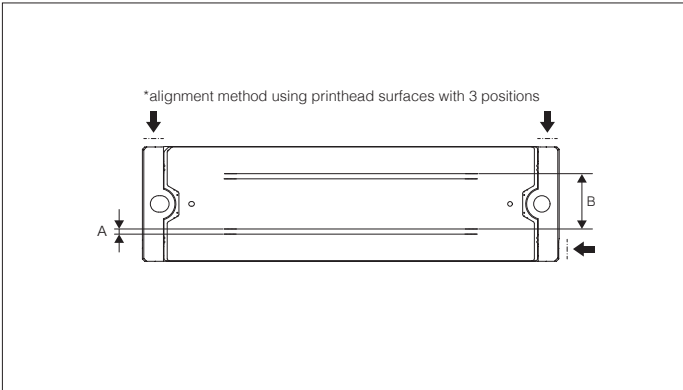


RICOH MH5320 (two color model)

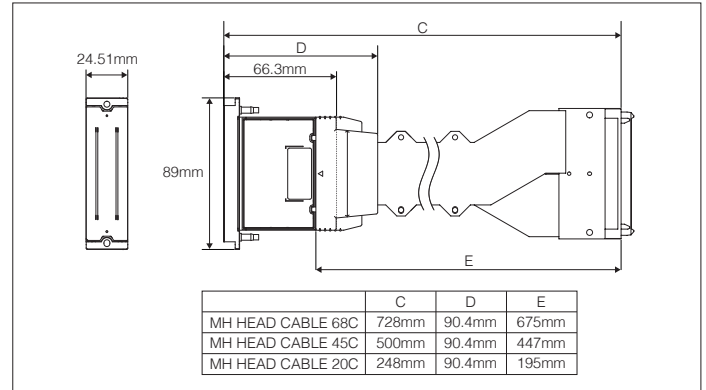
	MH5320	MH5340	MH5320 Type A
Method	Piston pusher with metallic diaphragm plate		
Print Width	54.1 mm (2.1")		
Number of nozzles	1,280 (4 x 320 channels), staggered		
Nozzle spacing (4 color printing)	1/150°(0.1693 mm)		
Nozzle spacing (Row to row distance)	A : 1.101mm B : 11.811mm		
Compatible ink	UV, Solvent, Aqueous, Others.		
Total printhead dimensions	89(W) x 24.51(D) x 66.3(H) mm (3.5" x 1.0" x 2.6")		
Weight	228g (including 45C cable)		
Max.number of color inks	2 colors	4 colors	2 colors
Operating temperature range	60°C		
Temperature control	Integrated heater and thermistor		
Jetting frequency	50kHz (3 levels) 40kHz (4 levels)		
Grey-scale	4 levels		
Drop volume	Binary mode : 5pl / Grey-scale mode : 5-15pl		
Viscosity range	10~12mPa · s		
Surface tension	28~35mN/m		
Ink port	Yes	Yes	No
Separately sold parts	MH5320 / MH5340 / MH5320 Type A dedicated cable		

* Results obtained from continuous jetting test using standard Ricoh test fluid.

■ Nozzle



■ External dimensions



- Product appearance and specifications may be changed without prior notice for improvement purpose.
- Company and product names are trademarks or registered trademarks of their respective companies
- Please contact your sales representative for details on performance, specifications, and restricting conditions, etc

RICOH
imagine. change.

● Inquiries and orders: