

Industrial Inkjet

RICOH MH5220

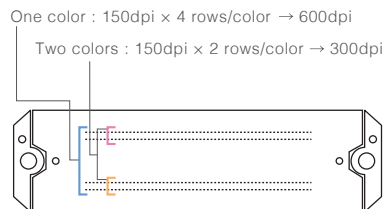
RICOH
imagine. change.

This is a printhead with
drop size of between 2.5 - 9 pl and
600 dpi native resolution.



Drop size of 2.5pl and Single-pass 600dpi high-resolution printing and support for multiple ink colors

2.5 pl drop size allows excellent print quality without graininess. With 1,280 nozzles configured in 4 x 150dpi rows, this printhead achieves high-resolution 600dpi printing. Additionally, the ink paths are isolated, enabling a single printhead to jet up to two ink colors.



Excellent durability and extended service life

Ricoh inkjet printheads are made of stainless steel. These printheads are highly robust and offer excellent anti-corrosion properties for multiple inks, resulting in excellent durability and extended service life.

Support for different inks

With its built-in heater, these printheads are capable of jetting high-viscosity inks. Additionally, the ink path is isolated from the actuator (piezo elements), i.e. no ink contact.

Support for grey-scale

Achieves excellent grey-scale rendering at up to 4 levels.

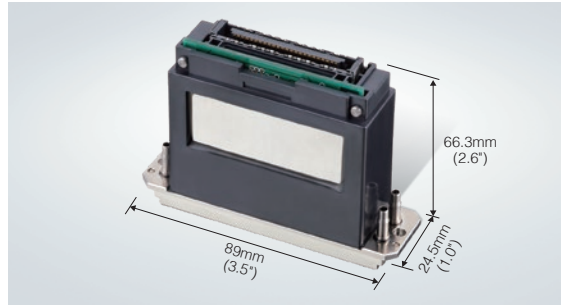
*Although controls for up to 4 scales are provided, actual jetting depends on ink characteristics.

Variable drop volume capability

Ricoh's open waveform policy allows tailored multi-drop printing of between 2.5 - 9 pl, enabling high quality grey-scale printing.

Inkjet printhead with support for multiple nozzles and colors

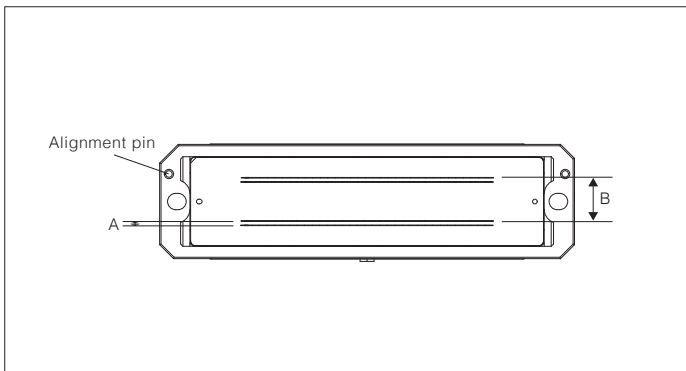
MH5220



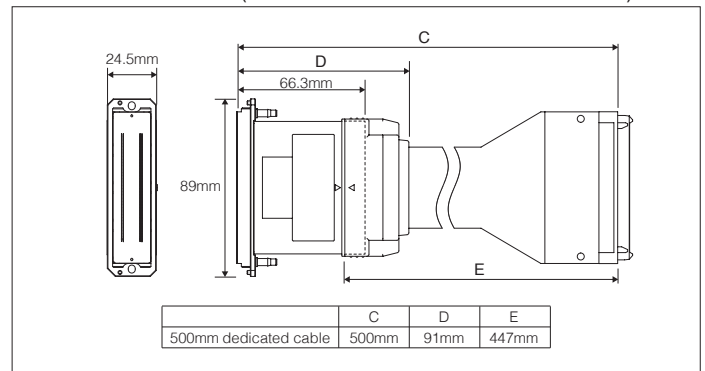
MH5220	
Method	Piston pusher with metallic diaphragm plate
Print Width	54.1 mm(2.1")
Number of nozzles	1,280 (4 × 320 channels), staggered
Nozzle spacing	1/150"(0.1693 mm)
Nozzle spacing A (Row to row distance)	0.93 mm
Nozzle spacing B (Upper and lower swath distance)	9.31mm
Compatible ink	UV
Total printhead dimensions	89(W) × 24.5(D) × 66.3(H) mm (3.5" × 1.0" × 2.6") excluding cables & connectors
Weight	142 g
Max.number of color inks	2 colors
Operating temperature range	Up to 50°C
Temperature control	Integrated heater and thermistor
Life	100 billion actuations per nozzle
Jetting frequency	30kHz
Drop volume	Binary mode: 2.5pl / Grey-scale mode : 2.5-9pl *depending on the ink
Viscosity range	10-12 mPa·s
Surface tension	28-35mN/m
Grey-scale	4 levels
Ink port	Yes
Number of ink ports	2 × dual ports
Alignment pin direction	Front (standard)
Separately sold parts	MH5220 dedicated cable

* Results obtained from continuous jetting test using standard Ricoh test ink.

■ Nozzle



■ External dimensions (MH5220 connected to dedicated cable)



- Product appearance and specifications may be changed without prior notice for improvement purpose.
- Company and product names are trademarks or registered trademarks of their respective companies
- Please contact your sales representative for details on performance, specifications, and restricting conditions, etc

RICOH
imagine. change.

● Inquiries and orders: